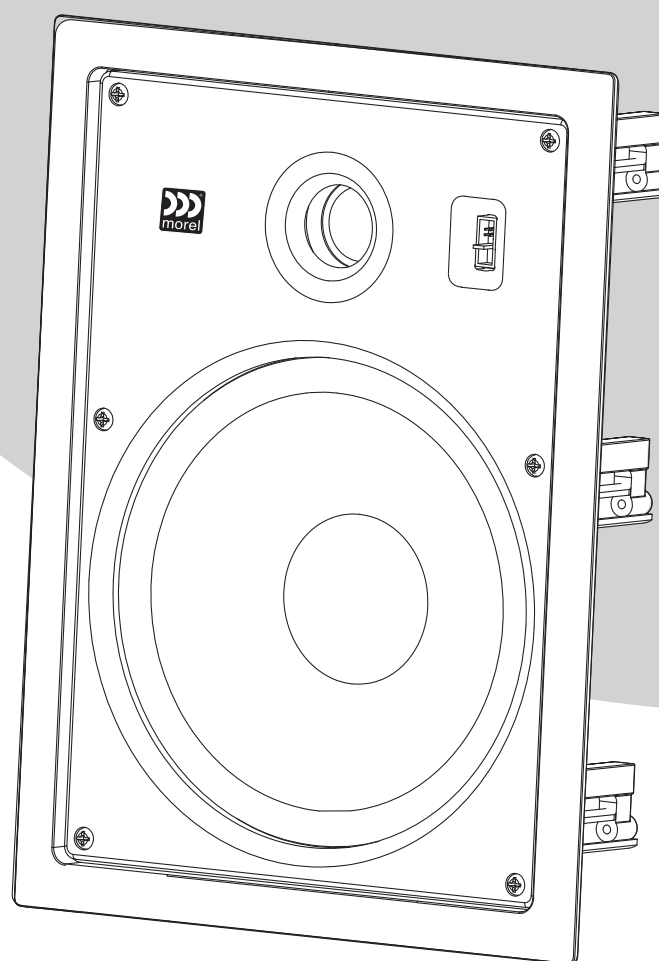


# SoundWall™ Series

## User manual and installation guide





# Introduction

Dear Customer,

Thank you for choosing Morel's SoundWall™ in-wall speaker!

These handcrafted speakers are uniquely designed and constructed, to offer extraordinary sound quality for both stereo and home theatre applications. When properly installed the SoundWall™ speakers will transform your musical and cinematic experiences into true magic for your long lasting enjoyment.

The information in this manual will help you get the best possible performance out of your speakers. If you have any questions, please contact your Morel dealer, or Morel Support at [www.morelhifi.com](http://www.morelhifi.com).

## Speaker placement

The position of the speakers has a great effect on the quality of the sound and soundstage created. Here are some recommended guidelines that will assist you in the speaker placement process.

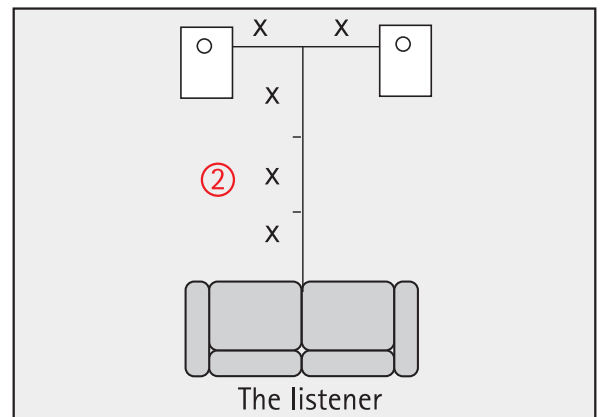
The Morel SoundWall™ speakers are designed to work well in both small and large rooms. Regardless of the application you may require it is recommended to make sure there are no objects that may block the area between the listener and the speakers.

Before installing the speakers consider the proximity to the electricity and other fixtures.

### Recommended speaker placement for stereo application

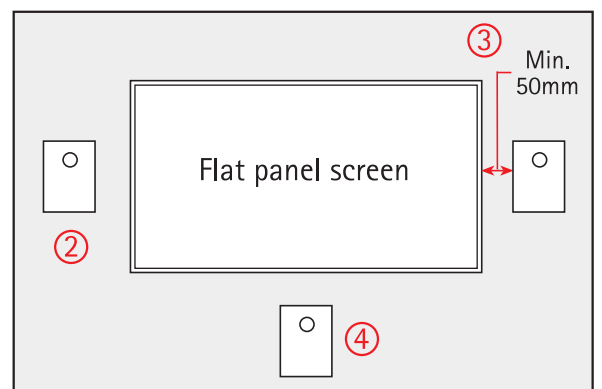
Ideally:

- ① The tweeter should be at ear level
- ② The distance between the speakers is  $\frac{2}{3}$  the distance from the listener
- ③ Aim to set the speaker as close as possible to this diagram for optimal performance



### Recommended speaker placement for home theatre

- ① Place the speaker on either sides of the flat panel screen
- ② The speaker should be centered to the flat panel screen
- ③ The distance between the edge of the flat panel screen and the speaker should be minimum 50mm
- ④ Preferably place the centre speaker under the flat panel screen



\* If additional speakers are desired - they should be placed at the same height as the main frontal speakers (if positioned on the side walls)

# Installation preparation

## Insulating the Wall Cavity

To achieve the very best from your loudspeakers we recommend you fill the wall cavity behind the speakers with fibre-glass insulation / Rockwall. It is important to try and keep the same amount of insulation material for each speaker to receive a true consistent bass response.

Install insulation also in the bays adjacent to the speaker location to reduce the noise produced by unsupported drywall. If in doubt, please consult your dealer / installer.

## Back Box

Morel's SoundWall™ speakers infinite baffle design allows you to place them in the wall cavity without the need for an enclosure. Nonetheless, in order to reduce sound transmission to other rooms it is recommended to use a back box / enclosure.

Here are Morel's recommended ideal enclosure sizes for the SoundWall™ series:

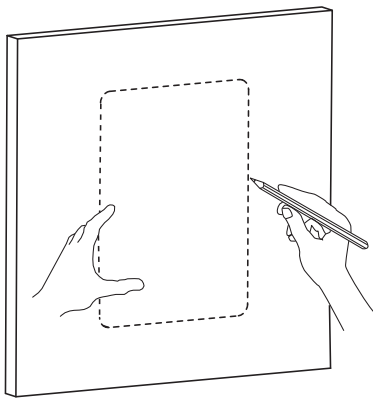
H5" & M5" 9 liters (0.317 cubic feet)

H6" & M6" 13 liters (0.459 cubic feet)

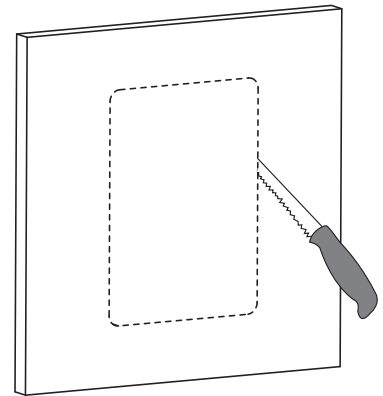
H8" & M8" 24 liters (0.847 cubic feet)

# SoundWall™ Installation

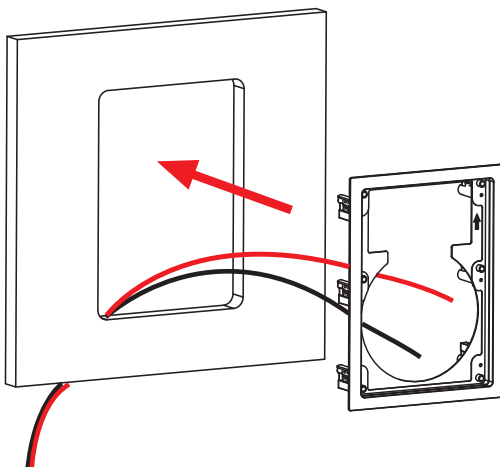
- 1 Marking the wall bracket location using the cardboard template (make sure there is no stud at the back of the drywall)



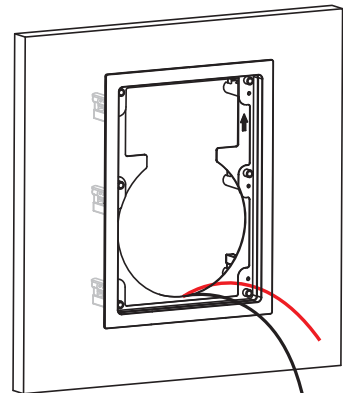
- 2 Cut the wall gently



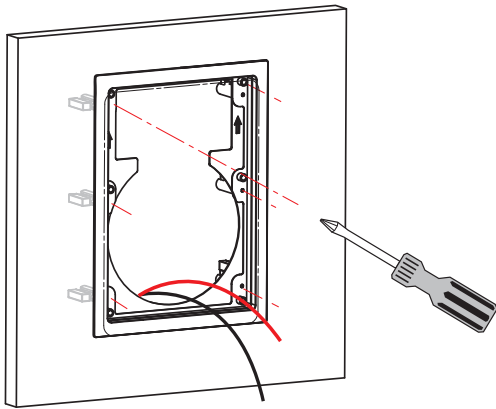
- 3 Insert the speaker frame into the wall



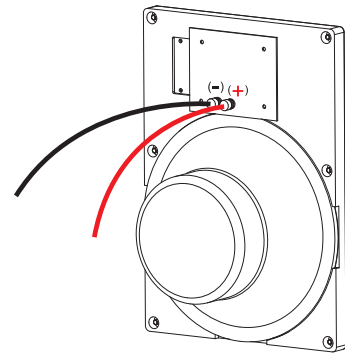
- 4



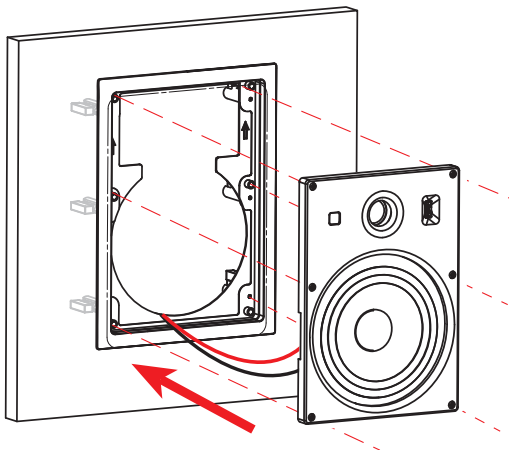
- 5 Use screw driver to secure frame in the wall



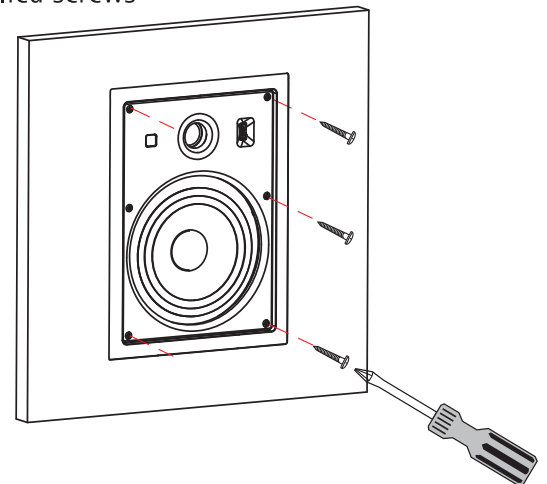
- 6 connect the cable to speaker inputs (+) to (+) and (-) to (-)



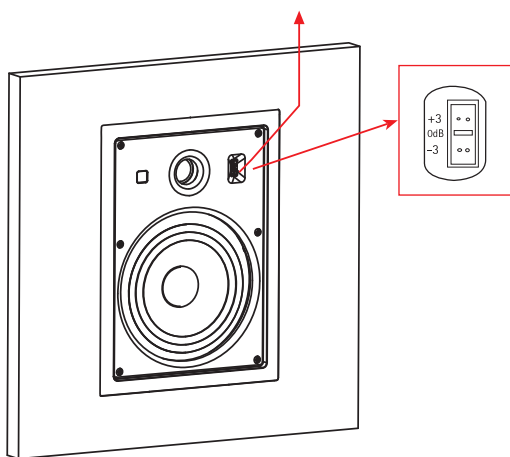
- 7 Align speaker to frame



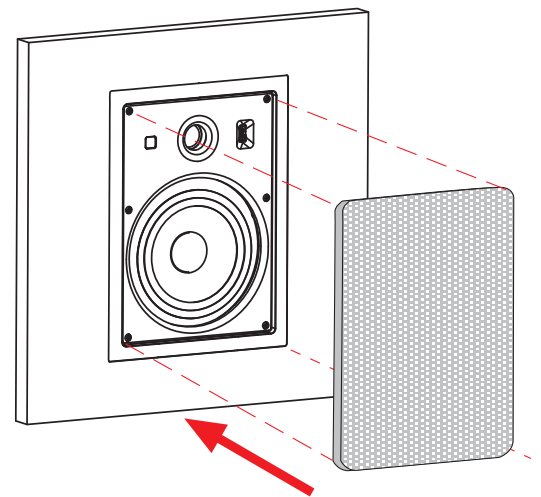
- 8 Connect speaker to the frame with original supplied screws



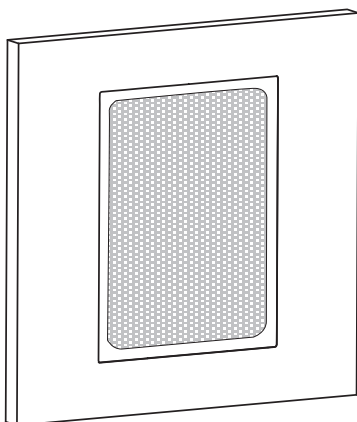
- 9 Set the high frequency output level.



- 10



- 11



# Specifications

## SoundWall™ H Series

SPECIFICATIONS	IN-5H	IN-6H	IN-8H
Construction	Front baffle black PU painted MDF	Front baffle black PU painted MDF	Front baffle black PU painted MDF
Drive units	<b>Woofers:</b> 5" DPC cone 3" Hexatech™ voice coil, External Voice Coil technology (EVC) <b>Tweeter:</b> 1.1" soft dome, Acuflex™ coated, Hexatech™ voice coil, neodymium magnet motor	<b>Woofers:</b> 6" DPC cone 3" Hexatech™ voice coil, External Voice Coil technology (EVC) <b>Tweeter:</b> 1.1" soft dome, Acuflex™ coated, Hexatech™ voice coil, double neodymium magnet motor	<b>Woofers:</b> 8" DPC cone 3" Hexatech™ voice coil, External Voice Coil technology (EVC) <b>Tweeter:</b> 1.1" soft dome, Acuflex™ coated, Hexatech™ voice coil, double neodymium magnet motor
Nominal impedance	6 ohm	6 ohm	6 ohm
Sensitivity 2.83V/1M	86 dB	88 dB	90 dB
Power handling	100W	120W	180W
Operating power	20-120 W	20-150 W	20-200 W
Crossover	2,200Hz / 12 dB	2,200Hz / 12 dB	2,200Hz / 12 dB
Frequency response	45-22,000 Hz	38-22,000 Hz	30-22,000 Hz
Frequency Adjustments	0 / ±3 dB	0 / ±3 dB	0 / ±3 dB
Grille	Metal	Metal	Metal
Overall Exterior Frame Dimensions (WxHxD)	7.5" x 10.7" x 3.3" (191x 272 x 83 mm)	8.7" x 12" x 3.2" (220 x 305 x 82 mm)	10.4" x 14.1" x 3.3" (263 x 357x 83 mm)
Cut Out Dimensions (H x W)	9.6" x 6.4" (246 x 164 mm)	10.9" x 7.5" (278 x 192 mm)	12.9" x 9.3"(329 x 237 mm)
FINISH	White	White	White

● Morel operates a product design improvement policy consequently specifications are subject to alterations without prior notice

## SoundWall™ M Series

SPECIFICATIONS	IN-5M	IN-6M	IN-8M
Construction	Front baffle black painted MDF	Front baffle black painted MDF	Front baffle black painted MDF
Drive units	<b>Woofers:</b> 5" composite cone 2.1" Hexatech™ voice coil, with Morel's External Voice Coil technology (EVC) <b>Tweeter:</b> 1.1" soft dome, neodymium magnet motor	<b>Woofers:</b> 6" composite cone 2.1" Hexatech™ voice coil, with Morel's External Voice Coil technology (EVC) <b>Tweeter:</b> 1.1" soft dome, double neodymium magnet motor	<b>Woofers:</b> 8" composite cone 3" Hexatech™ voice coil, with Morel's External Voice Coil technology (EVC) <b>Tweeter:</b> 1.1" soft dome, double neodymium magnet motor
Nominal impedance	6 ohm	6 ohm	6 ohm
Sensitivity 2.83V/1M	86 dB	88 dB	91 dB
Power handling	80W	100W	150W
Operating power	20-120 W	20-150 W	20-200 W
Crossover	2,200Hz / 12 dB	2,200Hz / 12 dB	2,200Hz / 12 dB
Frequency response	45-22,000 Hz	38-22,000 Hz	30-22,000 Hz
Frequency Adjustments	0 / ±3 dB	0 / ±3 dB	0 / ±3 dB
Grille	Metal	Metal	Metal
Overall Exterior Frame Dimensions (WxHxD)	7.5" x 10.7" x 3.3" (191x 272 x 83 mm)	8.7" x 12" x 3.2" (220 x 305 x 82 mm)	10.4" x 14.1" x 3.3" (263 x 357x 83 mm)
Cut Out Dimensions (H x W)	9.6" x 6.4" (246 x 164 mm)	10.9" x 7.5" (278 x 192 mm)	12.9" x 9.3" (329 x 237 mm)
FINISH	White	White	White

● Morel operates a product design improvement policy consequently specifications are subject to alterations without prior notice





[www.morelhifi.com](http://www.morelhifi.com)

---